

Power-Pak



ELECTRO-MAGNET
Instruction & Parts Listing

400-1110-01 115V
400-1112-30 230V

KIT CONTENTS: (15 lbs.)

- The Power-Pak Electro Magnet - 115 Volt or 230 Volt
- 1 Pound can of Magnetic Powder
- 1 Powder Spray Bulb
- 1 Handy Tool Box

Instructions:

Clean the surface of the casting to remove oil, grease and other dirt from the surface of the casting and make it dry. (remove all moisture)

Plug the magnet input cord into an electrical outlet. Make certain that the magnet cord is properly grounded and keep the unit away from water when in use.

(Caution: This is a strong magnet and can damage CRT tube displays, video and audio recordings, and any other magnet storage devices. Keep it away from computers and other electronic devices when operating)

Position the magnet on the surface of the casting to be tested and activate the magnet with the pushbutton switch. Using the powder spray bulb filled with magnetic powder, dust or "drift" the magnetic powder onto the surface of the casting in the area of the magnet between the two poles or legs.

The magnet creates a magnetic field in the casting, running from one pole to the other. If there is a crack in the casting between the two poles, it breaks the field and draws an accumulation of magnetic powder which sharply outlines the crack.

Since the magnetic powder reacts this way only between the poles of the magnet, it is necessary to move the magnet around on the surface of the casting to check the area for other cracks, and to show the full extent of any cracks.

When the magnetic powder shows the existence and location of a crack, the crack should be completely chalked or otherwise marked so that it can be easily identified later for repair.

This magnetic crack detection process can be used only on the types of castings subject to magnetic charges. It cannot be used on Aluminum castings.

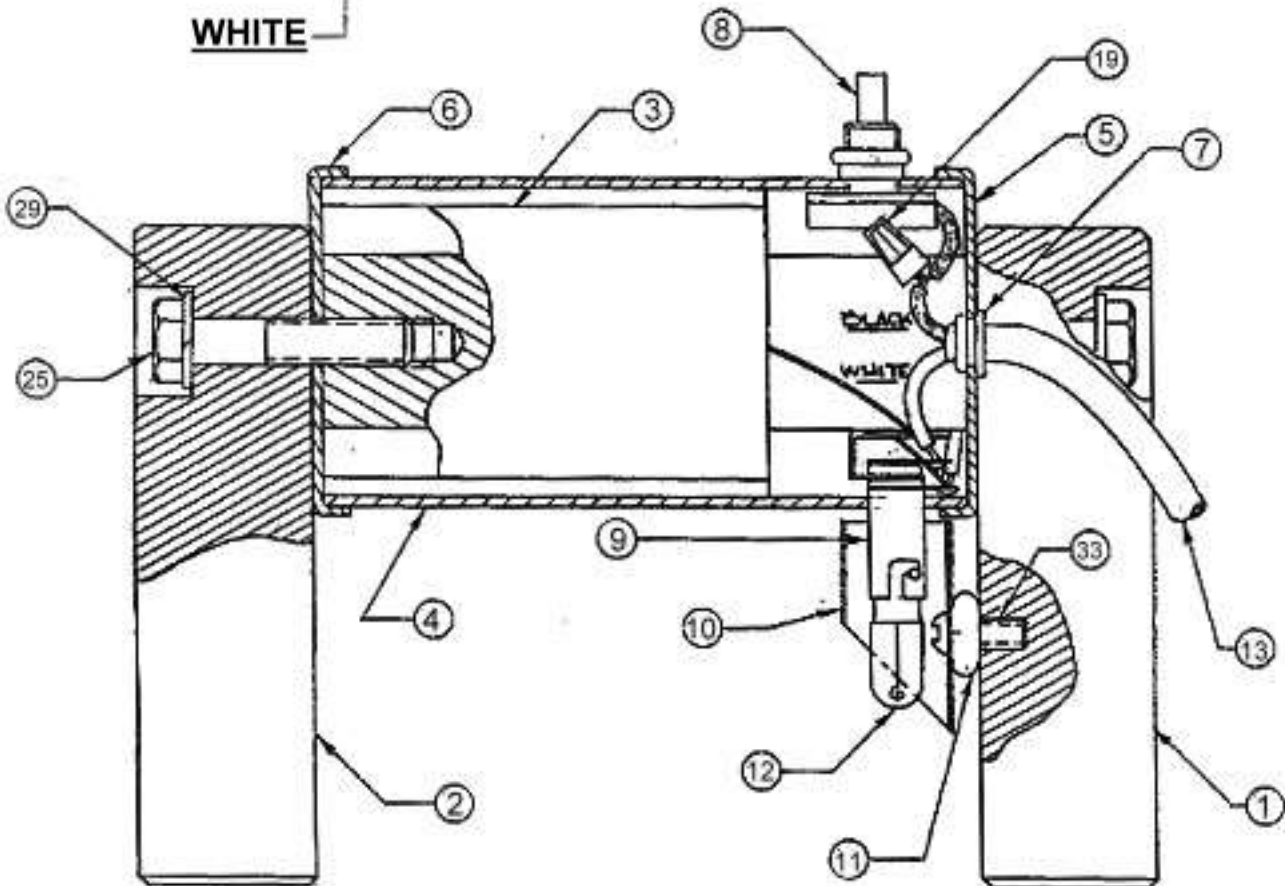
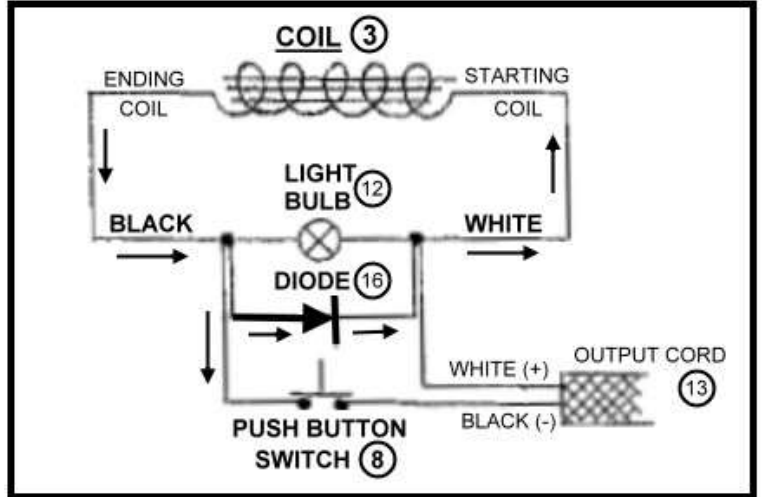
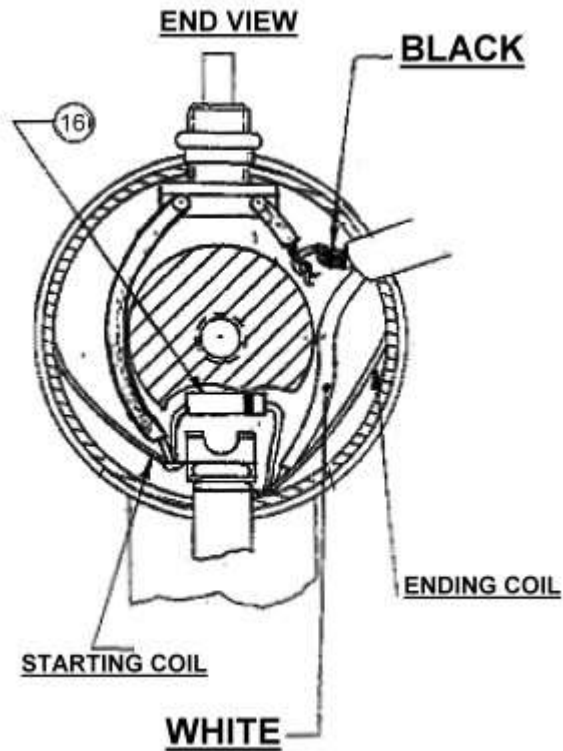


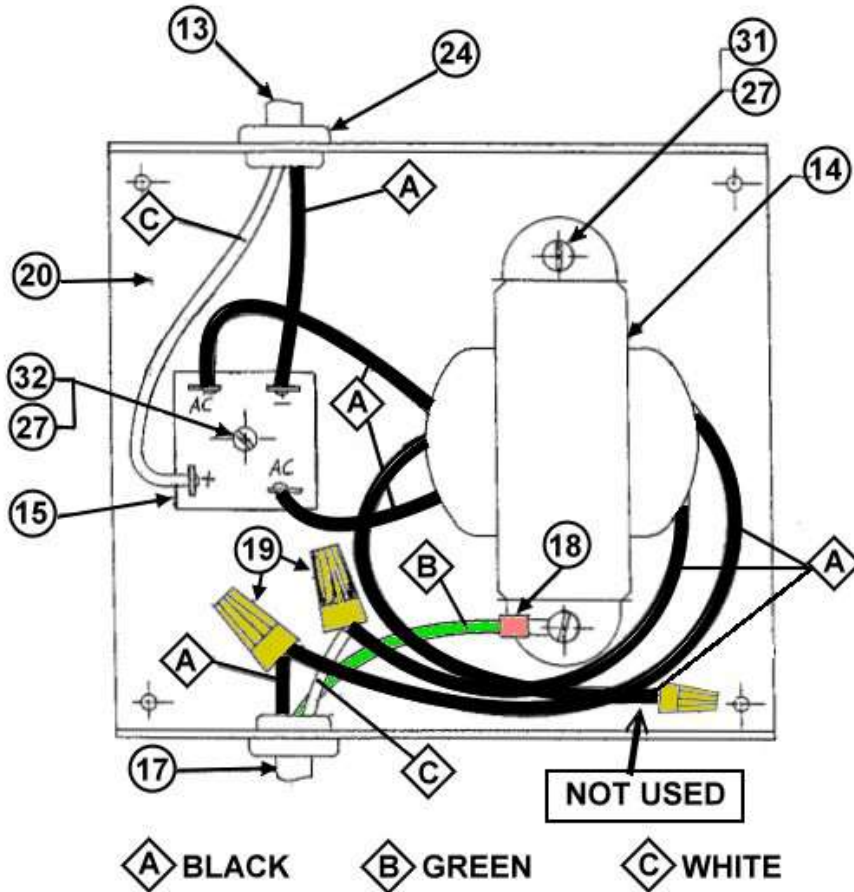


Magnetic Crack Detection

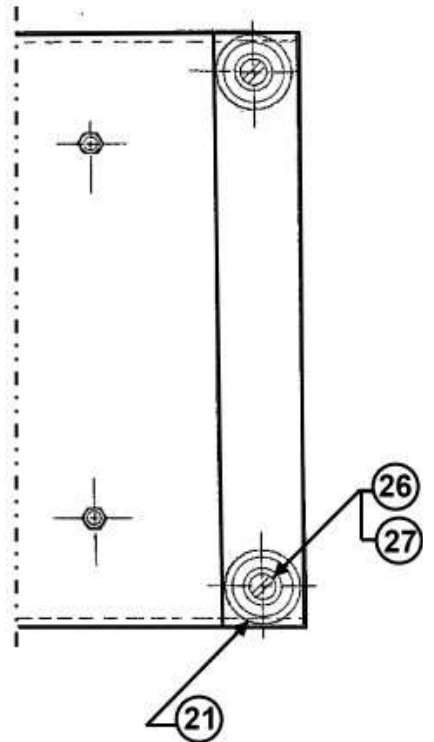
400-1110-01 **ELECTRO MAGNET KIT 115V**

Ref#	Part Number	Description	Qty
1	400-1102-11	ELECTRO MAGNET RIGHT LEG	1
2	400-1102-12	ELECTRO MAGNET LEFT LEG	1
3	400-1102-30	CORE COMPLETE	1
4	400-1102-41	CASING-COMplete	1
5	400-1102-50	CAP-RIGHT-COMplete	1
6	400-1102-51	CAP-LEFT-COMplete	1
7	400-1102-60	SNAP BUSHING	1
8	400-1102-61	PUSH BUTTON SWITCH	1
9	400-1102-65	LIGHT BULB SOCKET	1
10	400-1102-70	REFLECTOR	1
11	400-1102-72	RUBBER WASHERS	1
12	400-1102-75	LIGHT BULB	1
13	400-1102-90	OUTPUT CORD - 6' LENGTH	1
14	400-1103-10	TRANSFORMER 115V	1
15	794-8687-76	RECTIFIER	1
16	400-1103-30	DIODE	1
17	400-1103-70	INPUT CORD - EA	1
18	400-1103-71	STA KON TERMINALS	1
19	000-1241-41	WIRE NUTS	4
20	400-1104-05	CASE-ANODIZED	1
21	400-1104-10	RUBBER FEET	4
22	400-1104-11	SCR FOR RUBBER LEGS SET4	4
23	794-8013-05	HANDLE	1
24	400-1104-30	STRAIN RELIEF BUSHING	2
25	467-1102-15	5/16-18X1-1/2 HEX BOLT	2
26	467-1104-12	#6 INTERNAL TOOTH WASHER	4
27	000-1092-66	6-32 HEX NUT	4
28	467-1104-22	#8 INTERNAL TOOTH WASHER	2
29	467-1521-31	5/16 LOCKWASHER	2
30	467-1530-09	8-32 HEX NUT	2
31	467-1581-10	6-32X1/4 PAN HD.PHIL.SCW.	3
32	467-1581-14	6-32 X 3/4 RD.SLOTTED SCW	1
33	467-1581-20	8-32 x 1/2 RD.SLOTTED SCW	1
34	467-1581-22	8-32 X 3/8 OVAL SCW SLOT	2
	467-1950-55	MED TOOL BOX W/O TRAY	1
	400-1210-01	SPRAY BULB-MAG.CRK.DETECT	1
	400-1220-16	WHITE - 1 LB (MAG.POWDER)	1

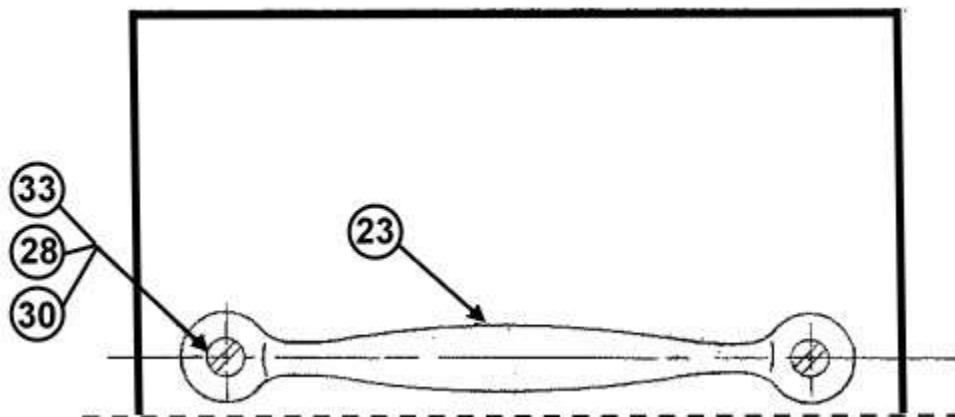




PARTIAL BOTTOM VIEW



PARTIAL TOP VIEW





Magnetic Crack Detection

400-1112-30

ELECTRO MAGNET KIT 230V

Ref#	Part Number	Description	Qty
1	400-1102-11	ELECTRO MAGNET RIGHT LEG	1
2	400-1102-12	ELECTRO MAGNET LEFT LEG	1
3	400-1102-30	CORE COMPLETE	1
4	400-1102-41	CASING-COMplete	1
5	400-1102-50	CAP-RIGHT-COMplete	1
6	400-1102-51	CAP-LEFT-COMplete	1
7	400-1102-60	SNAP BUSHING	1
8	400-1102-61	PUSH BUTTON SWITCH	1
9	400-1102-65	LIGHT BULB SOCKET	1
10	400-1102-70	REFLECTOR	1
11	400-1102-72	RUBBER WASHERS	1
12	400-1102-75	LIGHT BULB	1
13	400-1102-90	OUTPUT CORD - 6' LENGTH	1
14	400-1103-09	TRANSFORMER 230V	1
15	794-8687-76	RECTIFIER	1
16	400-1103-30	DIODE	1
17	400-1103-68	INPUT CORD 230V 8' LONG	1
17	466-1712-30	230V PLUG FOR INPUT CORD	1
18	400-1103-71	STA KON TERMINALS	1
19	000-1241-41	WIRE NUTS	4
20	400-1104-05	CASE-ANODIZED	1
21	400-1104-10	RUBBER FEET	4
23	794-8013-05	HANDLE	1
24	400-1104-30	STRAIN RELIEF BUSHING	2
25	467-1102-15	5/16-18X1-1/2 HEX BOLT	2
26	467-1104-12	#6 INTERNAL TOOTH WASHER	6
27	000-1092-66	6-32 HEX NUT	6
30/34	467-1593-56	#6 x 1/2 PAN HEAD SCREW	4
31/22	467-1581-10	6-32X1/4 PAN HD.PHIL.SCW.	5
32	467-1581-14	6-32 X 3/4 RD.SLOTTED SCW	1
29	467-1521-31	5/16 LOCKWASHER	2
33	467-1581-20	8-32 x 1/2 RD.SLOTTED SCW	1
	466-1713-24	#3AG FUSE HOLDER #342012A	1
	466-1713-25	3AG 1/4AMP SLO-BLO FUSE	1
	467-1950-55	MED TOOL BOX W/O TRAY	1
	400-1210-01	SPRAY BULB-MAG.CRK.DETECT	1
	400-1220-16	WHITE - 1 LB (MAG.POWDER)	1

Magnetic Crack Detection Kit



Irontite Products Inc.
PO Box 9877
Cedar Rapids, Iowa 52409

Irontite Products Inc.
2525 18th Street SW, Suite D
Cedar Rapids, Iowa 52404

Phone: 800-553-5953
Fax: 319-377-9101
Web: www.ironite.com